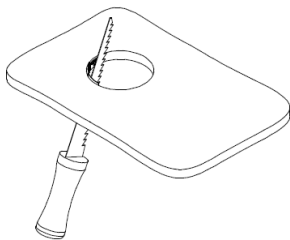


**RECESSED DIVA INTEGRATED DRIVER
INSTALLATION INSTRUCTIONS**



WARNING - RISK OF FIRE AND ELECTRICAL SHOCK. FIXTURE MUST BE INSTALLED BY A QUALIFIED ELECTRICIAN ONLY. FIXTURE IS INTENDED FOR INSTALLATION IN ACCORDANCE WITH THE NATIONAL ELECTRICAL CODE, LOCAL AND FEDERAL SPECIFICATIONS. DISCONNECT POWER AT ELECTRICAL PANEL BEFORE SERVICING. RETAIN THESE INSTRUCTIONS FOR MAINTENANCE REFERENCE.

CUTOUT TABLE

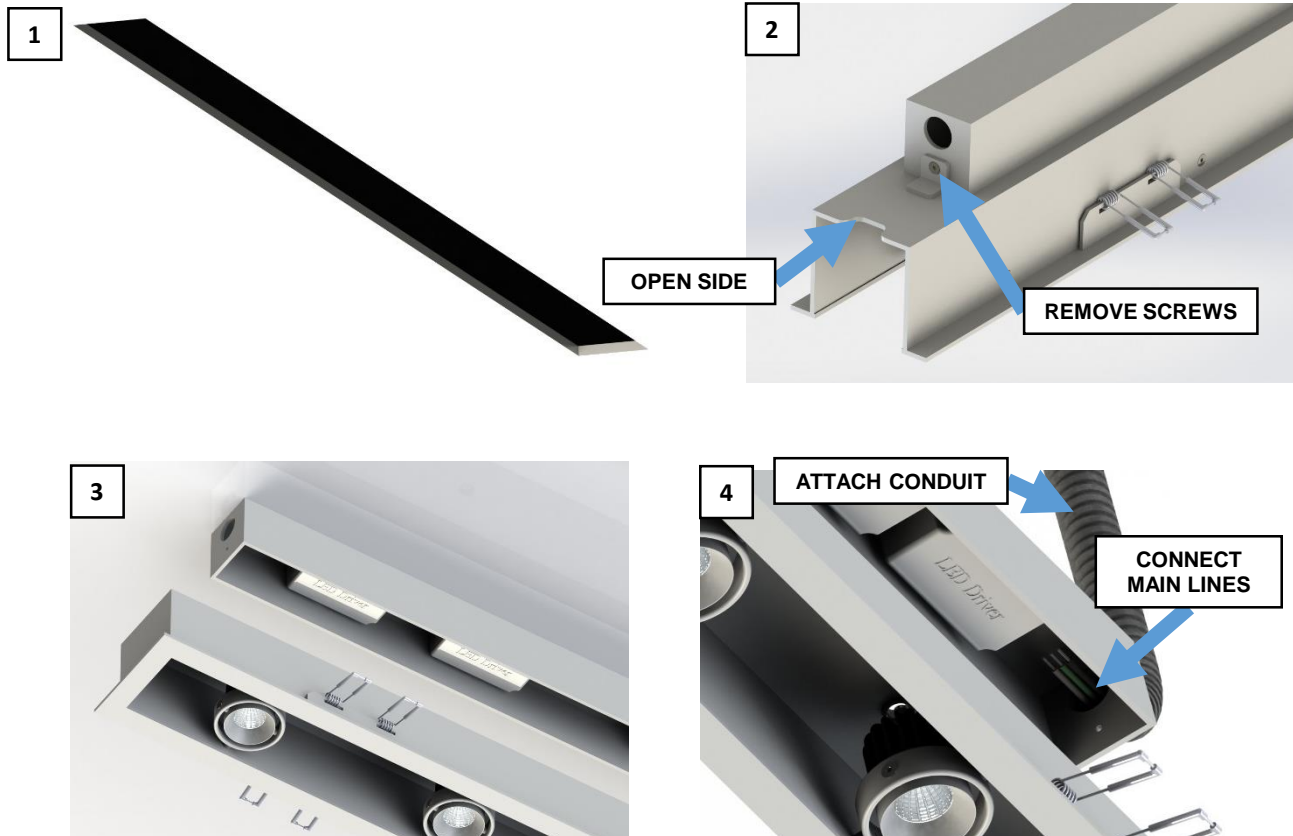


FIXTURE	CUTOUT
CUSTOM DIVA 3 RM	121mm x Xmm / 4.75" x X"

**TO DETERMINE LENGTH DIMENSION X
ADD 2 cm or 3/4" TO THE CUSTOM LENGTH ORDERED.**

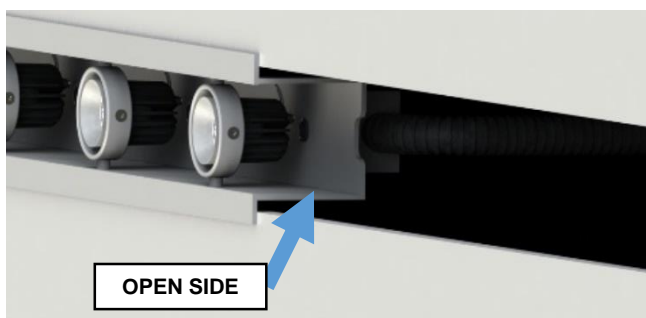
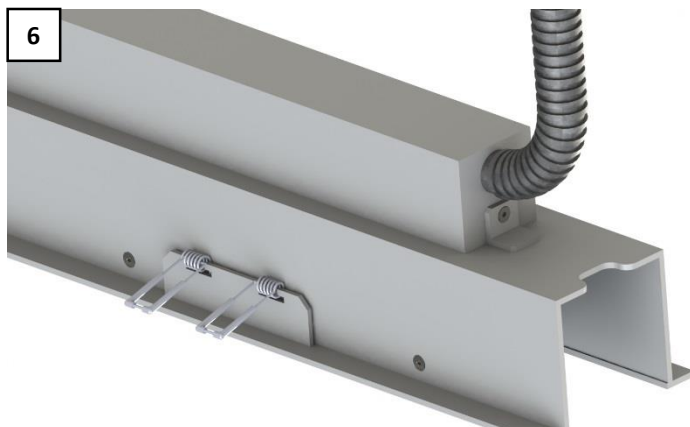
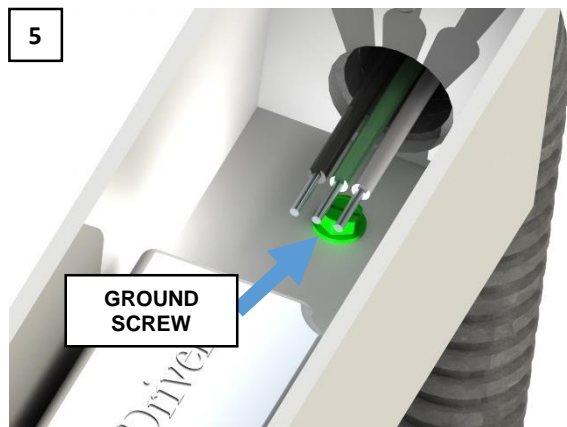
NOTE: ROUND FRAME INSTALLATION SHOWN, FOLLOW SAME PROCEDURE FOR SQUARE FRAME.

FIXTURE INSTALLATION



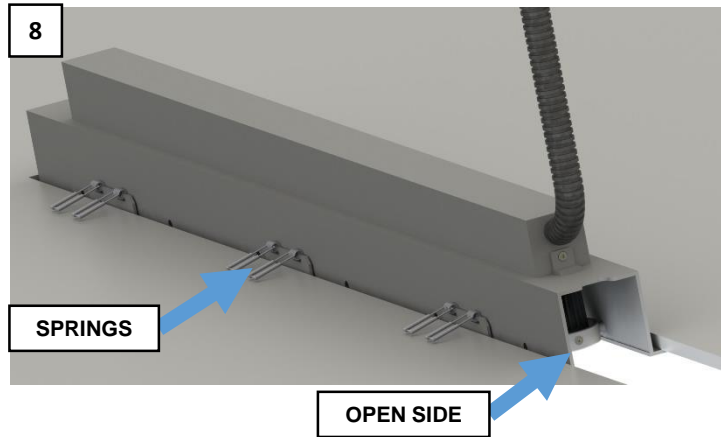
1. CUT OUT A SQUARE HOLE PER DIMENSIONS ON THE CUT OUT TABLE. (FIGURE 1)
2. REMOVE 2 SCREWS TO RELEASE DRIVER COMPARTMENT. (FIGURE 2)
3. CAREFULLY REMOVE DRIVER COMPARTMENT COVER (FIGURE 3).
4. ATTACH 1/2" FLEXIBLE CONDUIT TO THE HOLE NEXT TO THE OPEN SIDE OF THE DIVA BOX. (FIGURE 4).

FIXTURE INSTALLATION



5. ATTACH GROUND WIRE TO GROUND SCREW PROVIDED TO GROUND THE FIXTURE. USING SUPPLIED WAGO CONNECTORS, CONNECT THE WHITE WIRE FROM THE FIXTURE TO THE NEUTRAL LINE, AND THE BLACK WIRE FROM THE FIXTURE TO THE HOT WIRE. (FIGURE 5)
6. ATTACH DRIVER COMPARTMENT COVER USING SCREWS PREVIOUSLY REMOVED (FIGURE 6).
7. INSTALL THE FIRST SECTION IN THE CEILING MAKING SURE THAT THE OPEN SIDE IS LOCATED IN THE MIDDLE OF THE OPENING. (FIGURE 7)

FIXTURE INSTALLATION



-
8. USE SPRINGS TO SUPPORT THE SECTION IN THE CEILING. (FIGURE 8)
 9. REPEAT STEPS 2 THROUGH 8 FOR THE SECOND SECTION OF THE FIXTURE.
 10. ORIENT THE LIGHT ENGINES ON THE FIXTURE FOR THE DESIRED DISTRIBUTION AND POWER ON THE FIXTURE. (FIGURE 6)