

DIVA PENDANT INSTALLATION INSTRUCTIONS



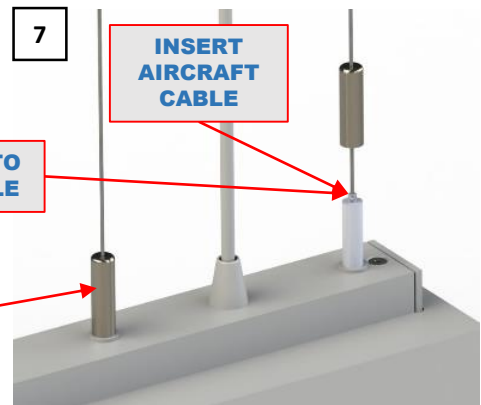
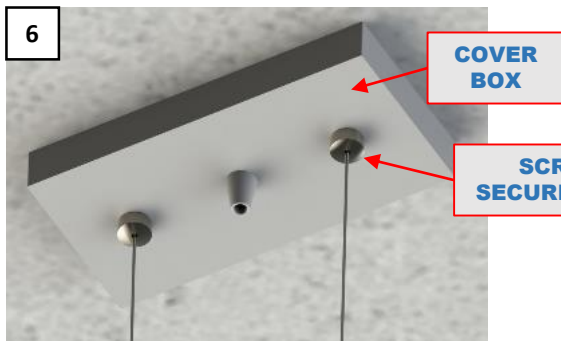
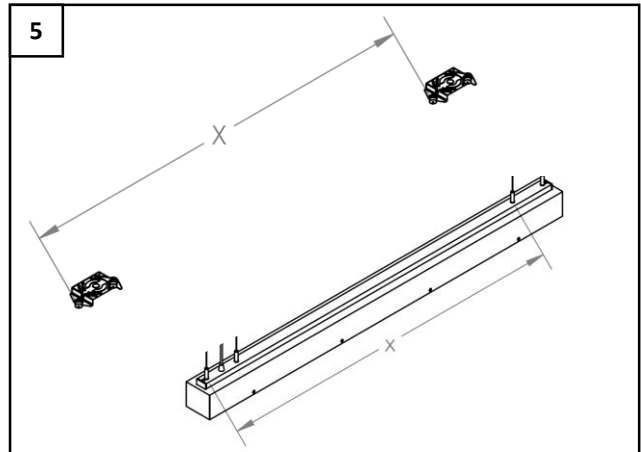
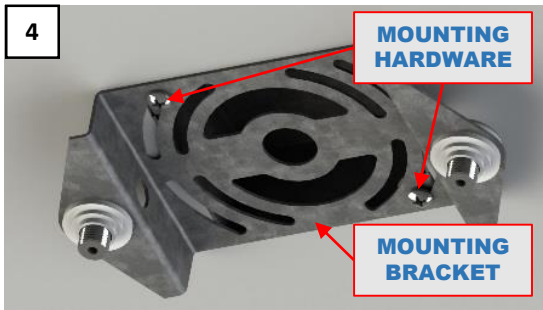
WARNING - RISK OF FIRE AND ELECTRICAL SHOCK. FIXTURE MUST BE INSTALLED BY A QUALIFIED ELECTRICIAN ONLY. FIXTURE IS INTENDED FOR INSTALLATION IN ACCORDANCE WITH THE NATIONAL ELECTRICAL CODE, LOCAL AND FEDERAL SPECIFICATIONS. DISCONNECT POWER AT ELECTRICAL PANEL BEFORE SERVICING. RETAIN THESE INSTRUCTIONS FOR MAINTENANCE REFERENCE.

POWER SUPPLY INSTALLATION



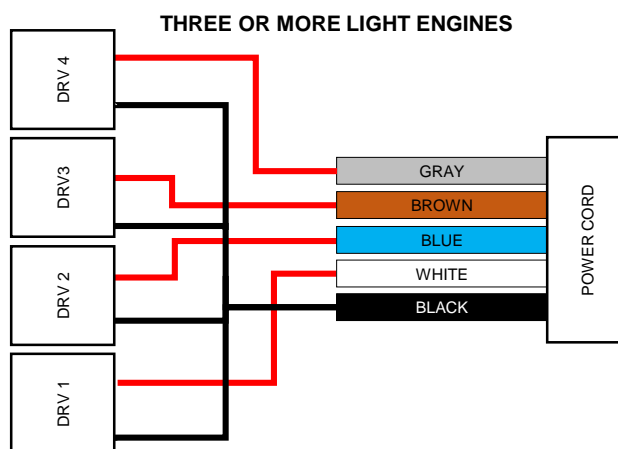
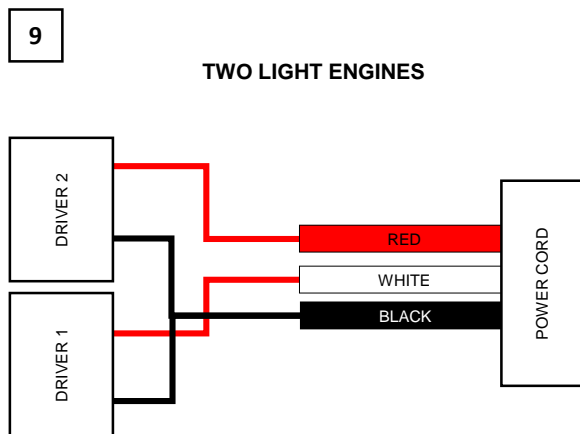
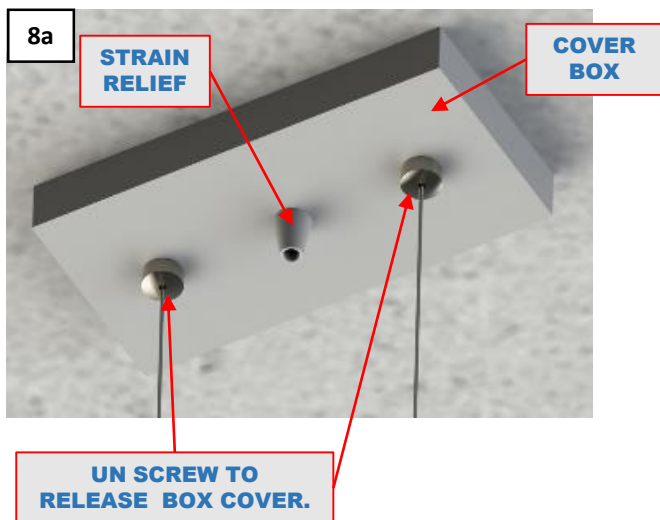
-
1. MAKE SURE ALL MAIN POWER WIRES ARE ACCESSIBLE PRIOR TO INSTALLING THE RETROFIT ENCLOSURE. (FIGURE 1)
 2. REMOVE COVER AND KNOCK OUT HOLES ON THE RETROFIT ENCLOSURE TO THE APPROPRIATE SIZE PER THE CONDUIT USED. ATTACH THE CONDUIT TO THE ENCLOSURE. CONNECT THE GROUND WIRE TO THE GREEN GROUND WIRE IN THE ENCLOSURE, CONNECT THE MAIN POWER WIRES TO THE POWER SUPPLY. IF AVAILABLE, CONNECT DIMMING WIRES TO THE POWER SUPPLY ON THE OPPOSITE END. (FIGURE 2)
 3. ATTACH COVER AND PUSH THE RETROFIT ENCLOSURE THROUGH THE HOLE, LEAVING THE RED AND BLACK WIRES ACCESSIBLE TO INSTALL IN THE FIXTURE. (FIGURE 3)
 4. OUTPUT FROM THE POWER SUPPLIES MAY BE ROUTED INTO A J-BOX FOR EASE OF INSTALLATION.
 5. THE AMOUNT OF DRIVERS IS ONE PER LIGHT ENGINE ON THE DIVA FIXTURE.

FIXTURE INSTALLATION



6. ATTACH MOUNTING BRACKET ON TO JUNCTION BOX OR CEILING USING APPROPRIATE HARDWARE FOR THE MATERIAL TO WHICH IT'S BEING ATTACHED TO. (FIGURE 4)
7. WHEN MORE THAN ONE MOUNTING BRACKET IS NEEDED, MAKE SURE THEY ARE SPACED CORRECTLY BY MEASURING THE DISTANCE FROM THE AIRCRAFT CABLE HOLDERS SHOWN AND SPACING THE MOUNTING BRACKETS THE SAME DISTANCE. (FIGURE 5)
8. RUN AIRCRAFT CABLES THROUGH THE MOUNTING BRACKET AND THROUGH THE COVER BOX. ATTACH THE COVER BOX TO THE MOUNTING BRACKET BY SCREWING ON THE HARDWARE ON THE COVER TO THE MOUNTING BRACKET. REPEAT IF NECESSARY FOR MULTIPLE MOUNTING BRACKETS. (FIGURE 6)
9. UNSCREW THE AIRCRAFT CABLE HOLDER COVERS AND INTRODUCE THE AIRCRAFT CABLE INTO THE OPENING. REPEAT THIS FOR ALL STRINGS OF CABLE. PLACE FIXTURE AT DESIRED HEIGHT, MAKE SURE THE FIXTURE IS LEVEL. TO MOVE THE AIRCRAFT CABLE OUT OF THE OPENING, PRESS IN THE TIP OF THE OPENING AND PULL THE CABLE OUT. AFTER THE FIXTURE IS AT THE CORRECT HEIGHT AND LEVEL, CUT OFF THE EXCESS AIRCRAFT CABLE COMING OUT FROM THE SIDE OF THE AIRCRAFT CABLE HOLDERS. SCREW BACK THE AIRCRAFT CABLE HOLDER COVERS. (FIGURE 7)

FIXTURE INSTALLATION



- REMOVE THE COVER BOX AND SLIDE DOWN THE AIRCRAFT CABLES. INSERT THE POWER CORD FROM THE FIXTURE THROUGH THE STRAIN RELIEF. CONTINUE SLIDING DOWN THE BOX COVER UNTIL IT RESTS ON TOP OF THE FIXTURE. (FIGURE 8)
- MAKE ELECTRICAL CONNECTIONS TO REMOTE CLASS 2 LED DRIVERS. **GRAY WIRE IN POWER CORD IS NOT USED WITH TRIPLE LIGHT ENGINE PENDANT.** (FIGURE 9)
- CLOSE THE ELECTRICAL CONNECTION BOX BY ATTACHING THE COVER BOX BACK.