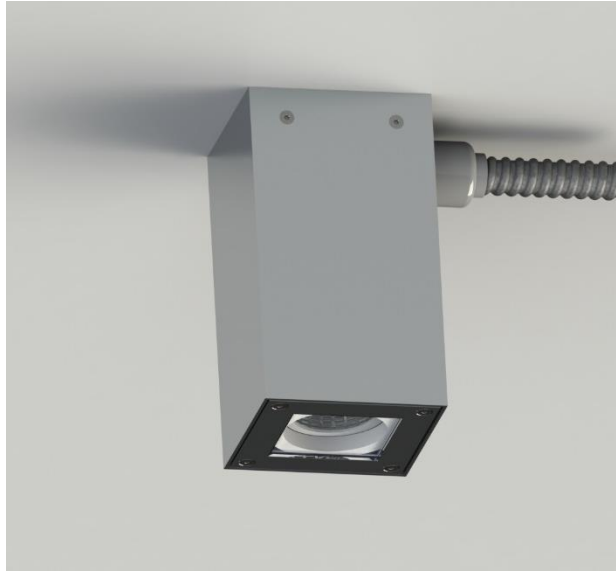
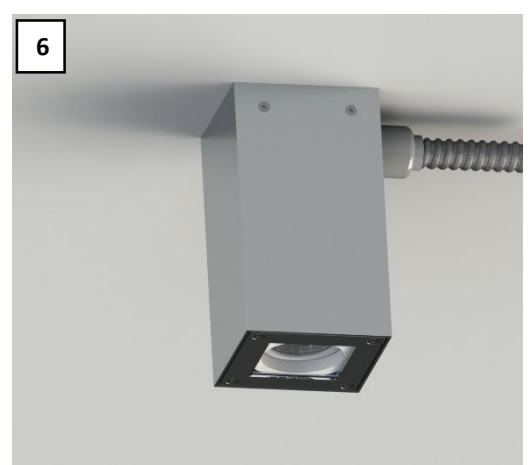
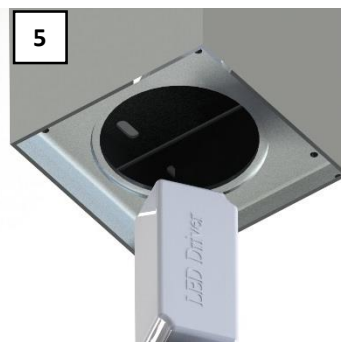
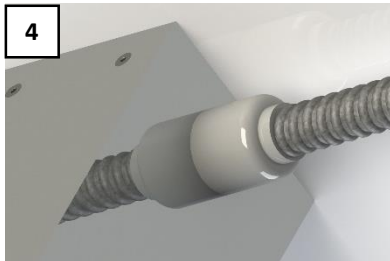
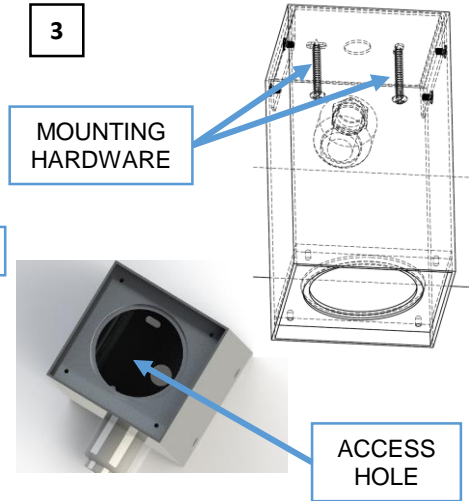
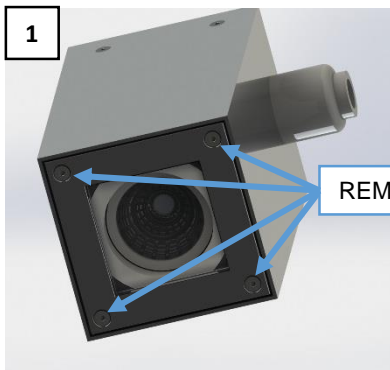

BONGO 3QOS INTEGRATED DRIVER INSTALLATION INSTRUCTIONS



WARNING - RISK OF FIRE AND ELECTRICAL SHOCK. FIXTURE MUST BE INSTALLED BY A QUALIFIED ELECTRICIAN ONLY. FIXTURE IS INTENDED FOR INSTALLATION IN ACCORDANCE WITH THE NATIONAL ELECTRICAL CODE, LOCAL AND FEDERAL SPECIFICATIONS. DISCONNECT POWER AT ELECTRICAL PANEL BEFORE SERVICING. RETAIN THESE INSTRUCTIONS FOR MAINTENANCE REFERENCE.

FIXTURE INSTALLATION



1. REMOVE 4X SCREWS ON THE FACE OF THE FIXTURE. (FIGURE 1)
2. REMOVE FACE PLATE AND LIGHT ENGINE. (FIGURE 2)
3. SECURE THE FIXTURE TO THE CEILING USING THE HOLES ON THE BACK OF THE FIXTURE. USE APPROPRIATE HARDWARE PER THE MATERIAL OF THE CEILING. (FIGURE 3)
4. ATTACH CONDUIT TO THE FIXTURE. (FIGURE 4)
5. CONNECT GROUND WIRE TO THE GREEN WIRE ON THE LIGHT ENGINE. CONNECT THE WHITE WIRE FROM THE POWER SUPPLY TO THE NEUTRAL LINE WIRE AND THE BLACK WIRE TO THE HOT LINE WIRE. (FIGURE 5)
6. RE-ATTACH THE LIGHT ENGINE AND FACE PLATE TO THE FIXTURE USING THE 4X SCREWS PREVIOUSLY REMOVED. (FIGURE 6)