

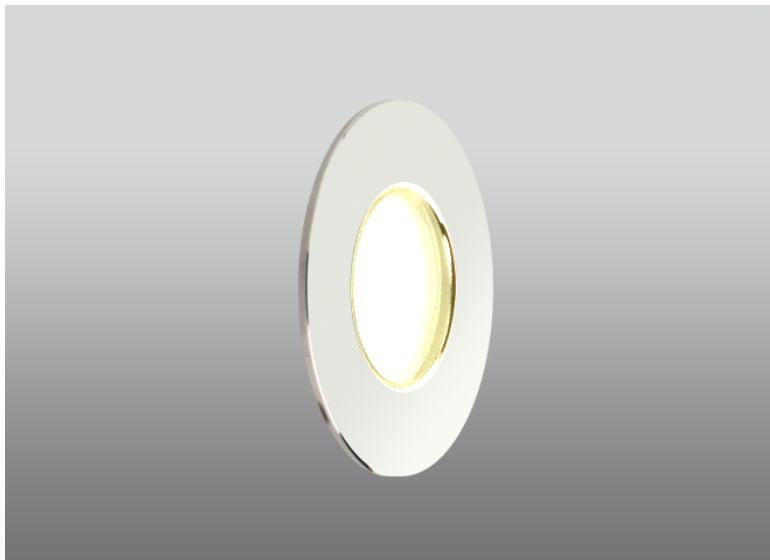
# MINI 45

Stainless Steel

ZANIBONI®

The Contract Division Of

Cantalupi USA

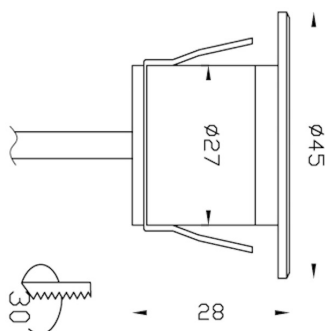


## The Modern Mini

- Suitable for Wet Locations
- Mini Step/Path Light
- 316L Marine Grade Stainless Steel
- Glass lens for optimal protection and durability
- Your ideal marker light for indoor and outdoors.



## Measurements



## Product Information

### MINI 45 - Stainless Steel

Product ID: #YZ-MIN45-L0130-SA-SS-24-6700

### Also Available In

OPTION/PRODUCT ID#

STAINLESS STEEL / #Y0-MIN45-L0130-SA-SS-24-6700

THE MANUFACTURER RESERVES THE RIGHT TO CHANGE OR MODIFY THE DESIGN, DIMENSIONS, AND PHOTOMETRIC INFORMATION AT ANY TIME WITHOUT NOTICE. MANUFACTURER ACCEPTS NO LIABILITY FOR CONSEQUENTIAL DAMAGE WHICH IS OCCASIONED TO THE USER BASED ON THE DATA PROVIDED.