



PROJECT	
TYPE	
CONTACT	

**3" 1167lm**  
Track | Round | Adjustable

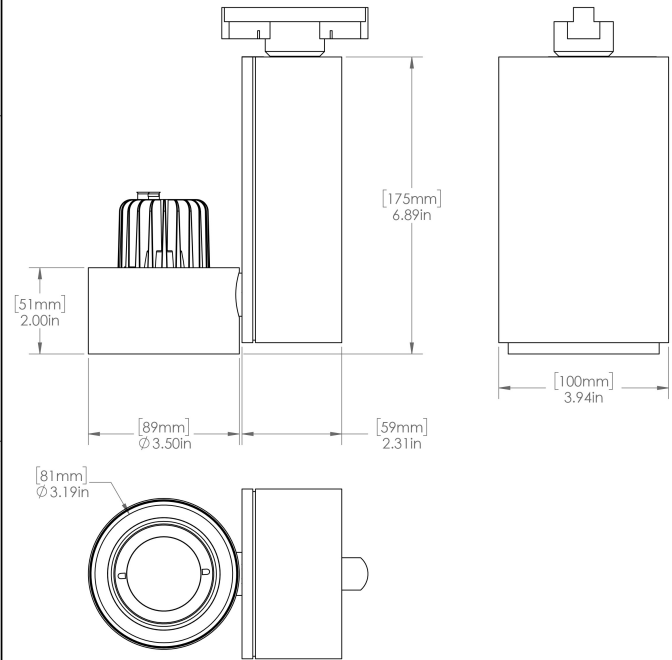
**Gala 3**  
FOR USE WITH ZANIBONI GALA TRACK SYSTEM

**Performance Options**

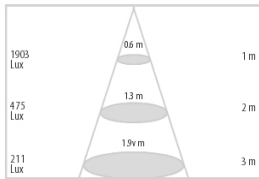
	10W	15W
Source Lumens	1188 lm	1563 lm
Delivered Lumens	887 lm	1167 lm
Lumens / Watt	88 lm/W	77 lm/W
Current	250mA	350mA

**CCT / CRI Multiplier**

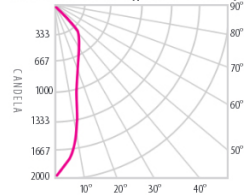
	2700°K	3000°K	3500°K	4000°K
80 CRI	0.93	1.00	1.00	1.07
95 CRI	0.69	0.75	0.81	0.87



1903 Lux @ 1 m (per source)



Lumen 1167 (per source)



LUMENS: DELIVERED AT STABILIZED OPERATING TEMPERATURE

**How To Specify** Use The Fixture Options Below to Fill In Each Box To Build Your Final Product Code

▼Family	▼Name	▼Source				▼Optics		▼Finish	▼Elec.	▼Encl. & IP	
<b>T3</b>	<b>GALA3</b>	__	__	__	__	__	__	__	<b>00</b>	__	__
OPTICS	MODEL	TOTAL WATT	KELVINTEMP	CRI	BEAM	EFFECT	COLOR	Features		HOUSING	IP
T3: 3"	GALA3: GALA 3	09: 10W 13: 15W	27: 2700° 30: 3000° 35: 3500° 40: 4000°	A: 80 B: 95	1: 15° 2: 24° 3: 36° 4: 45° 6: 60°	C: Clear F: Frosted P: Prismatic (Shatterproof) S: Solite	WS: Matte White BK: Matte Black CC: Custom Color	0: No Driver Z: 0-10V Dimmable E: ELV Dimmable L: Lutron™ Hi-Lum (3-wire) T: Lutron™ Hi-Lum (2-wire) N: Non-Dimmable		0: No Enclosure	D: Dry

Generated on Wednesday October 5th 2016